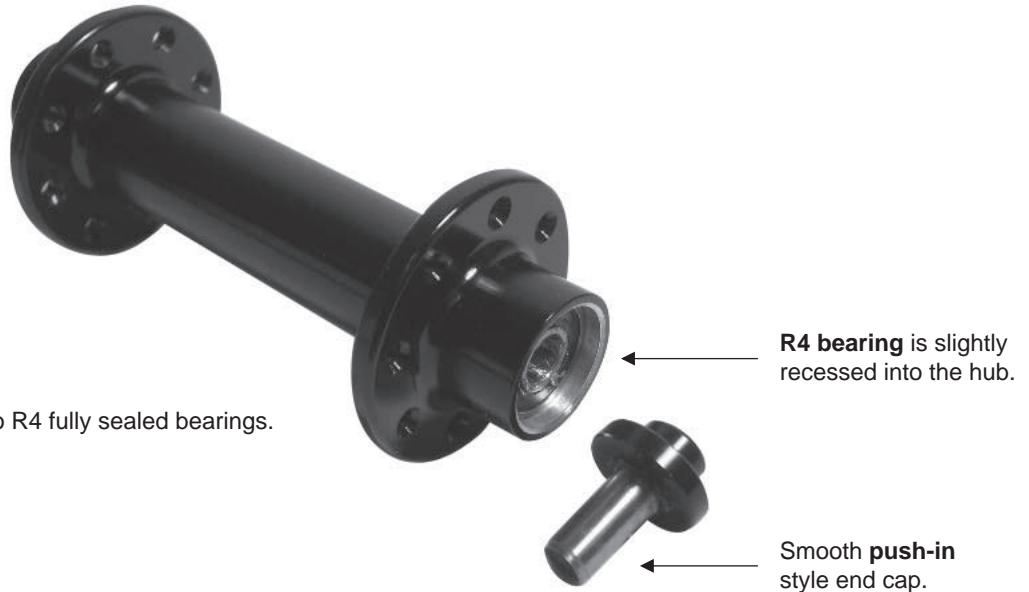


Micro Front Hub

American Classic Micro Front Hub - Push-in or Screw-in style end caps

(A) Micro 68
Original *Push-In*

NOTE: This hub uses two R4 fully sealed bearings.



(B) Micro 58
New Style *Screw-In*

NOTE: This hub uses two 688 fully sealed bearings.



All repairs should be performed by a Professional Bicycle Mechanic.